

AMS115

multipurpose subwoofer

Product Overview

The AMS115 multipurpose subwoofer features a 15-inch neodymium transducer and offers low frequency down to 35 Hz. With a lightweight enclosure, ergonomic handles, M20 threaded pole mount, and 12 M10 suspension points, this passive subwoofer is ideal for a variety of applications in portable setups or permanent installations — especially when paired with Bose AMM multipurpose loudspeakers. For example, combine an AMM112 with the AMS115 subwoofer for fill applications. Or, for front-of-house applications, combine an AMM108 and AMS115 sub to give audiences an impactful, full-spectrum audio experience.



Key Features

Compact high-output design with a lightweight, 15-inch neodymium transducer, low frequency down to 35 Hz, and 130 dB peak output

Direct-radiating bass reflex-tuned enclosure with large, ergonomic handles and caster mounting points

Pair with Bose PowerMatch amps and ControlSpace DSP for best performance and loudspeaker protection

Deploy easily in permanent installations with 28 kg (63 lb) design featuring 12 M10 threaded inserts for suspension

Set up quickly for portable applications with the integrated M20 threaded pole mount

Create a full-spectrum front-of-house experience when combined with an AMM108

Enhance stage fill applications by combining with an AMM112

Technical Specifications

SINGLE-LOUDSPEAKER PERFORMANCE	
Frequency Response (-3 dB) ¹	40 - 100 Hz
Frequency Range (-10 dB)	35 - 130 Hz
Nominal Coverage Pattern	Omnidirectional
Recommended Crossover	Use Bose-recommended presets for optimal performance
Power Handling, Long-term Continuous ²	500 W
Power Handling, Peak ³	2800 W
Sensitivity (SPL/1 W @ 1 m) ⁴	90 dB (free-field) 96 dB (half-space)
Calculated Maximum SPL @ 1 m ⁵	117 dB (free-field) 123 dB (half-space)
Calculated Peak SPL @ 1 m	124 dB (free-field) 130 dB (half-space)
TRANSDUCERS	
Low Frequency	15-in (381 mm) high-excursion woofer
Nominal Impedance	8 Ω

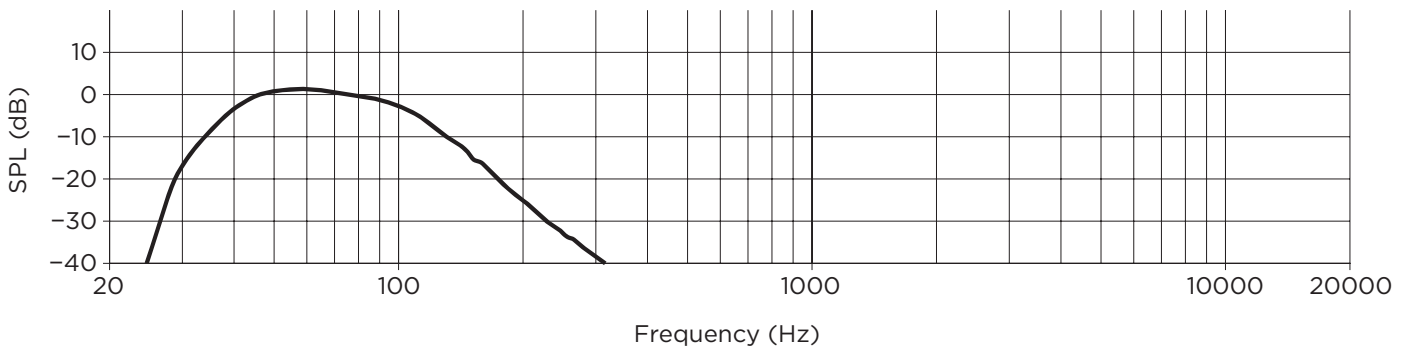
PRELIMINARY TECHNICAL DATA

AMS115

multipurpose subwoofer

PHYSICAL	
Enclosure Material	Baltic birch plywood
Finish	2-part spray polyurethane coating, black
Grille	Perforated steel, powder-coated finish, black
Environmental	N/A
Connectors	2 × Neutrik® NL4 inputs with wired-parallel through
Suspension/Mounting/Transport	1 × M20 threaded pole mount 12 × M10 threaded inserts (for accessory attachment or mounting) 16 × M8 caster attachment points
Dimensions (Width × Height × Depth)	470 mm × 470 mm × 508 mm (18.5 in × 18.5 in × 20.0 in)
Net Weight	28.39 kg (62.60 lb)
Shipping Weight	33.27 kg (73.35 lb)
PRODUCT CODES	
AMS115 Subwoofer	843163-0110 (AMS115 COMPACT SUBWOOFER)

Frequency Response ¹



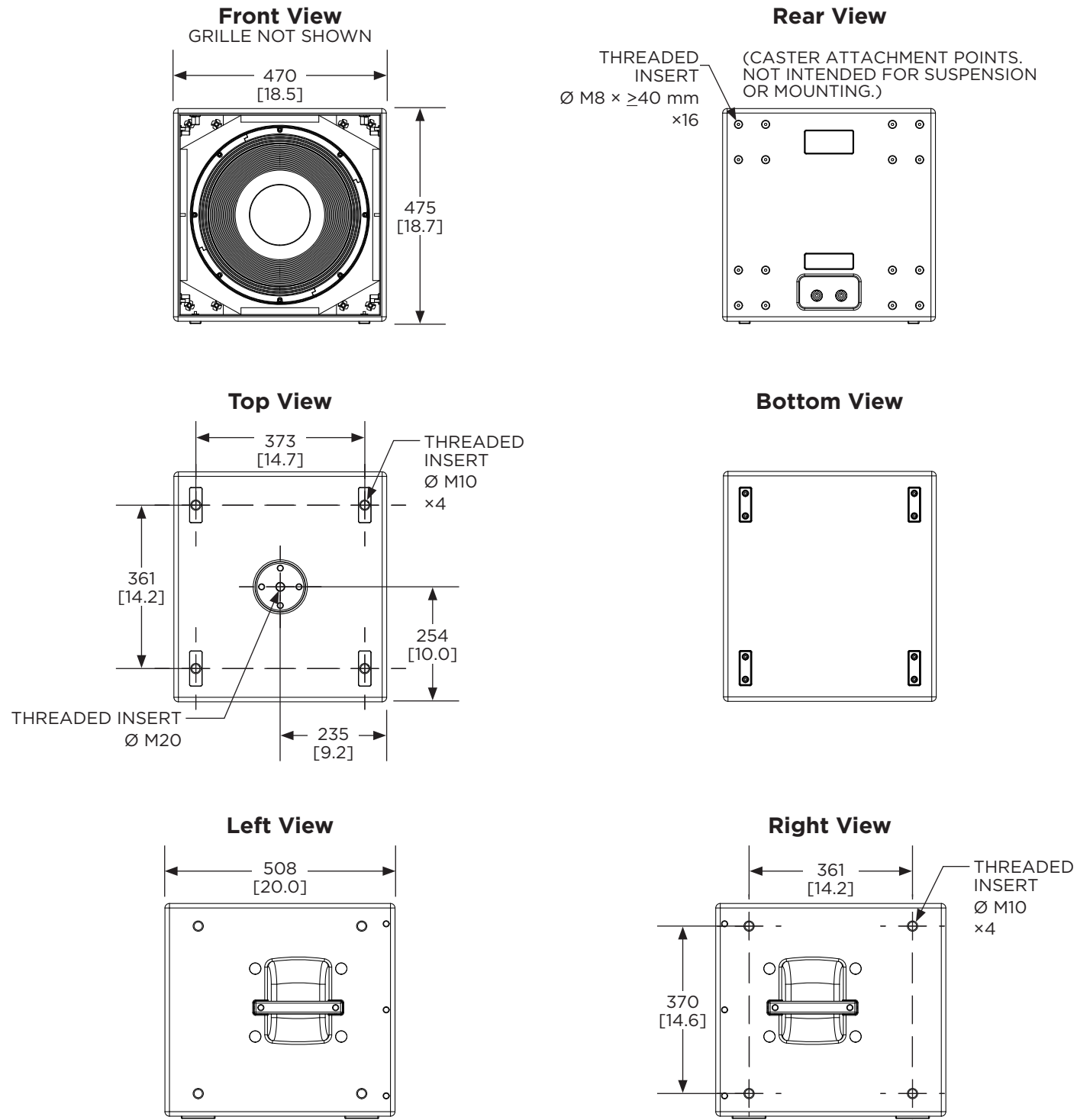
(1) Frequency response and range measured on-axis in anechoic environment with recommended loudspeaker processing. Frequency response graphs display SPL axis with 0 dB line referenced to sensitivity SPL value.
(2) Bose extended-lifecycle test using pink noise filtered to meet IEC268-5, 6-dB crest factor, 500-hour duration.
(3) Bose peak power test using 12-dB crest factor pink noise, 96-hour duration with recommended loudspeaker processing.
(4) Sensitivity measured in anechoic environment with recommended loudspeaker processing.
(5) Maximum SPL calculated using sensitivity and power ratings, exclusive of power compression.

For additional specifications and application information, please visit PRO.BOSE.COM. Specifications subject to change without notice. 3/2021

AMS115

multipurpose subwoofer

Dimensions



- NOTES:
1. DIMENSIONS ARE IN MILLIMETERS OVER INCHES.
 2. WEIGHT APPROXIMATELY 28.39 KILOGRAMS (62.60 POUNDS).

Bose, ControlSpace, and PowerMatch are trademarks of Bose Corporation. Neutrik is a registered trademark of Neutrik AG. All other trademarks are the property of their respective owners.

For additional specifications and application information, please visit PRO.BOSE.COM. Specifications subject to change without notice. 3/2021